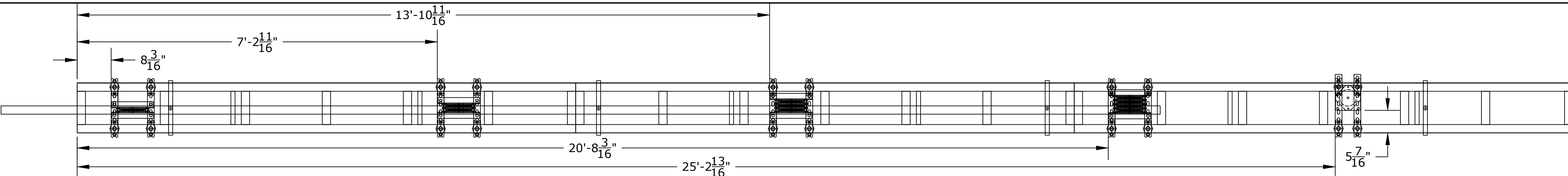
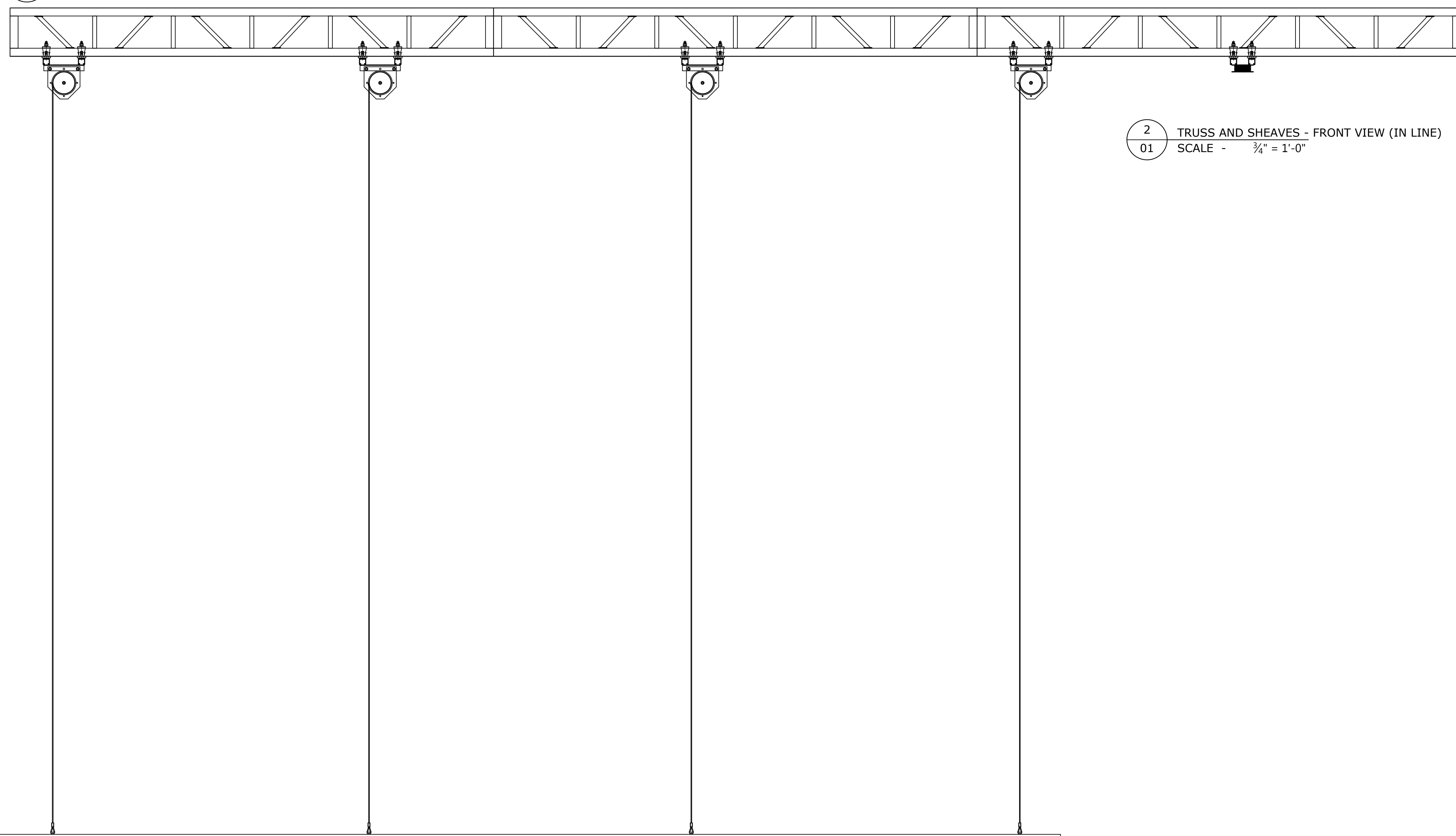
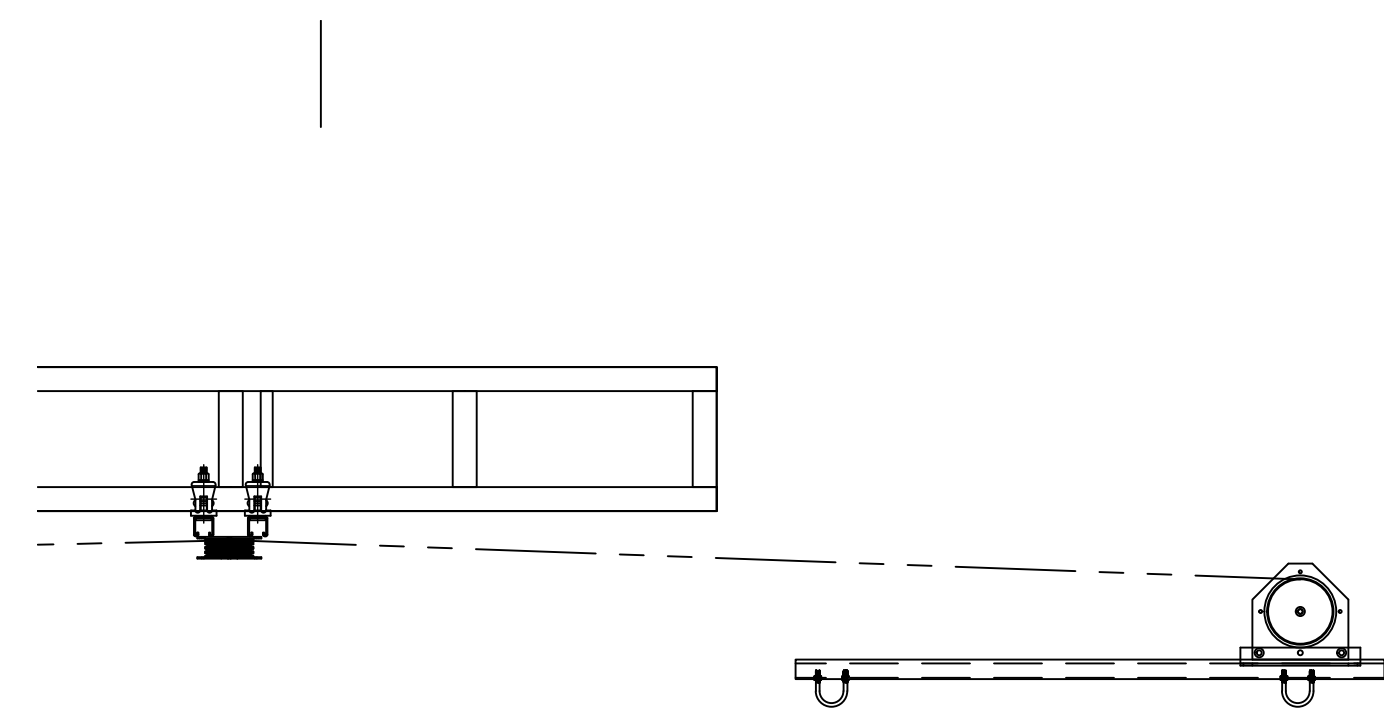


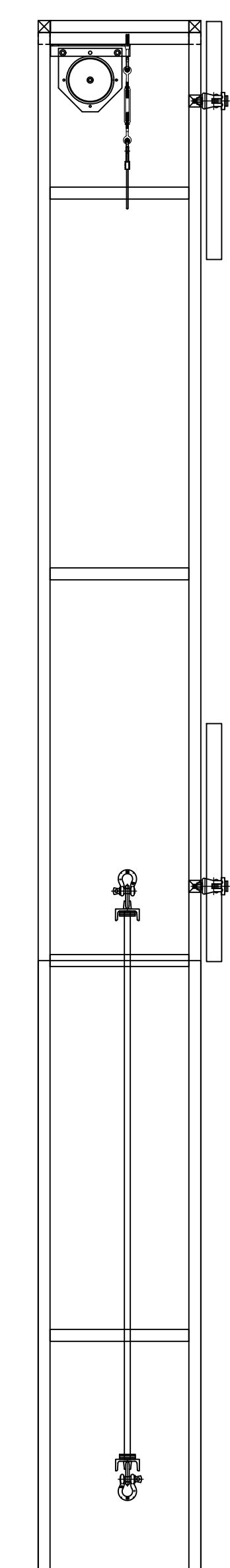
1 OVERVIEW
00 SCALE - $\frac{3}{4}$ " = 1'-0"



1 TRUSS AND SHEAVES - TOP VIEW
 01 SCALE - 3/4" = 1'-0"

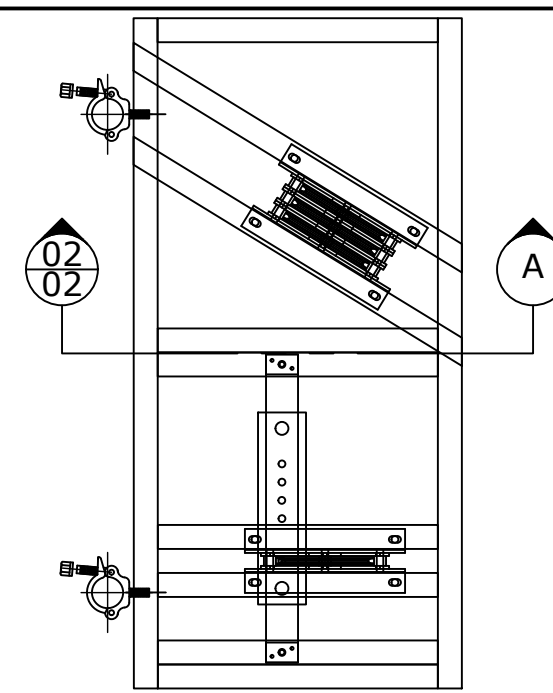


2 TRUSS AND SHEAVES - FRONT VIEW (IN LINE)
 01 SCALE - 3/4" = 1'-0"



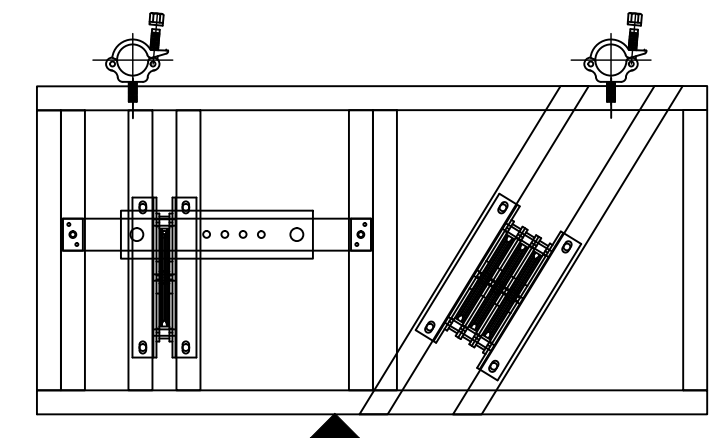
3 HEADBLOCK AND ARBOR TOWER - FRONT VIEW
 01 SCALE - 3/4" = 1'-0"

Show: WAR	
Assembly: RIGGING PLEXI WALL ON TRUSS	
Unit: RIGGING PLEXI WALL ON TRUSS	
Tech. Dir.: K Newman	Draftsman: K. MATSUMOTO
Yale Repertory Theater Yale School of Drama 222 York Street New Haven, CT 06520	Plot Date: 06.12.2015 Issue Date: Designer: M Sanchez Hernandez
Inventory Code: 550	Sheet Number: -01
Filepath: G:\Productions\2014-2015 Season\VRT2 - War\Scenery\Drafting\550 Rigging Plexi Wall on Truss\550 Rigging Plexi Wall on Truss.dwg	

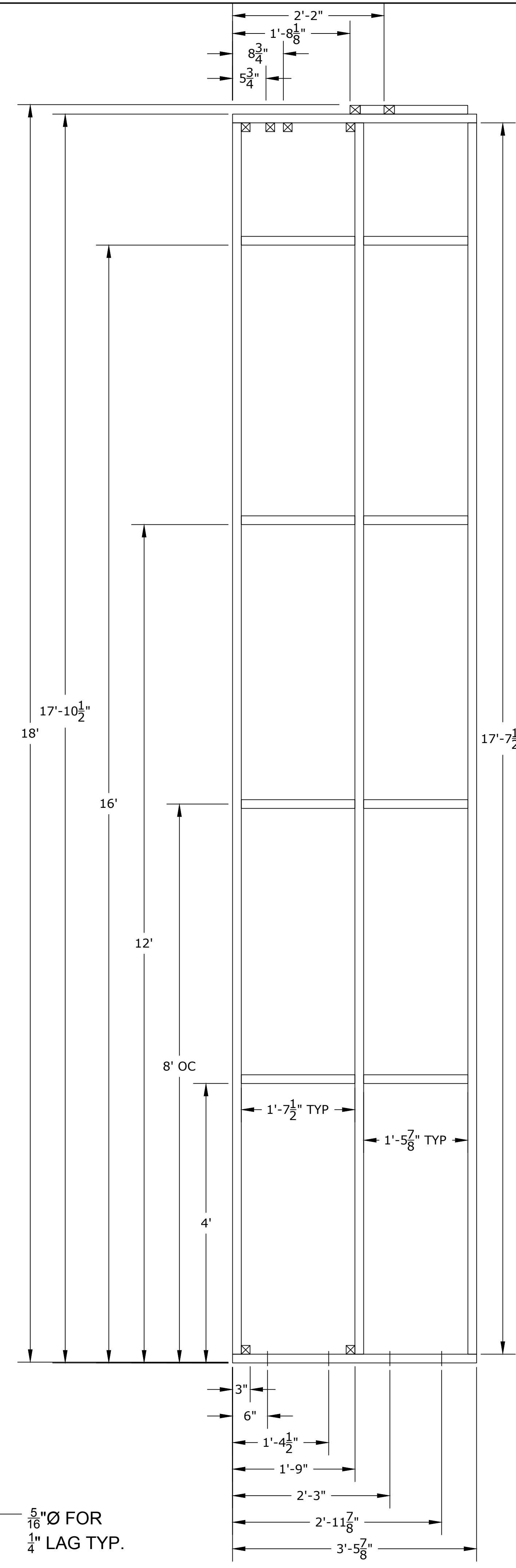


1 1/2" BOX TUBE
WELDED ON TOP AT ANGLE
TO MOUNT QUAD SHEAVE
ASSEMBLY (SEE DETAIL)

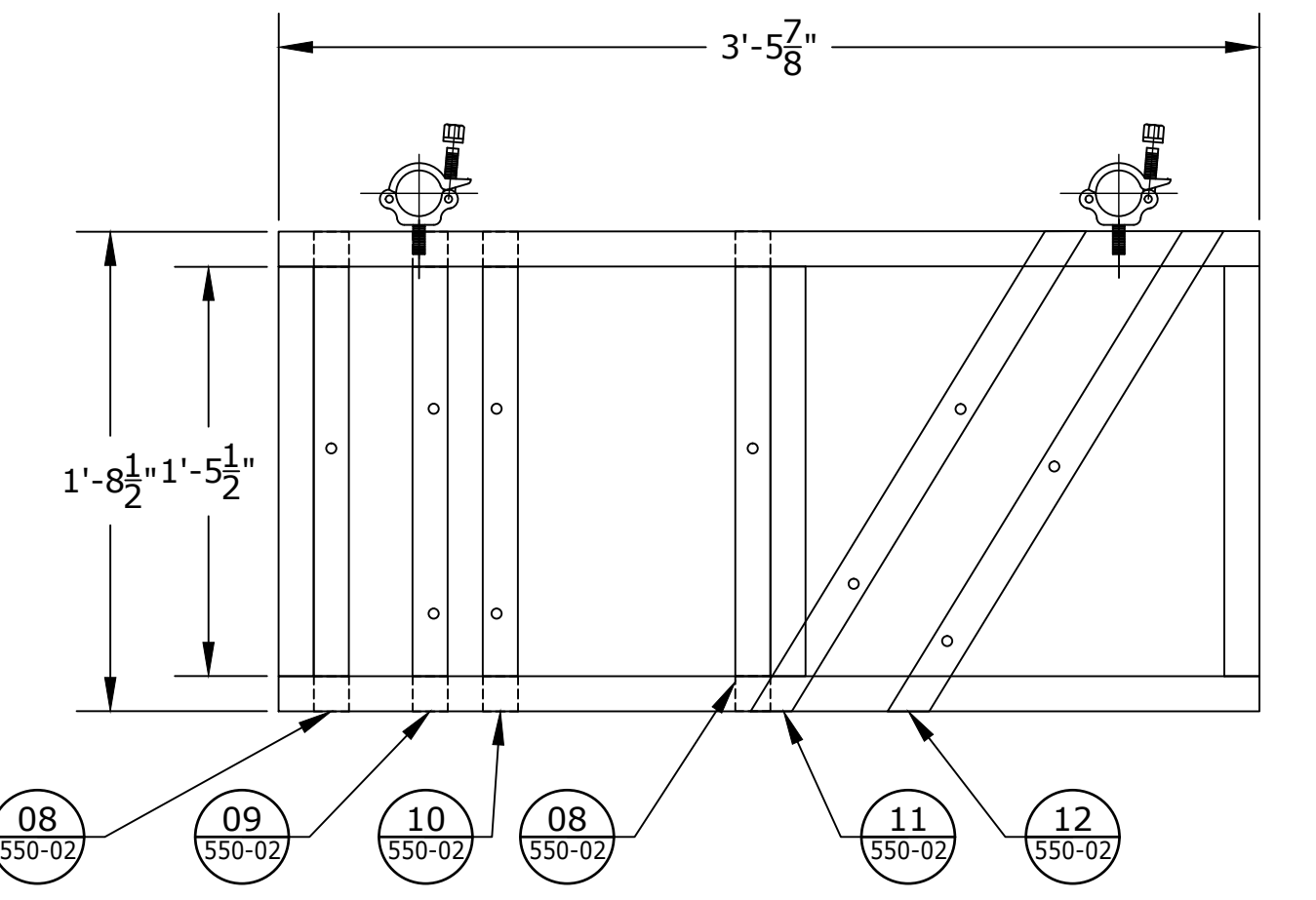
01 STEEL CAGE - TOP
02 SCALE - 1" = 1'-0"



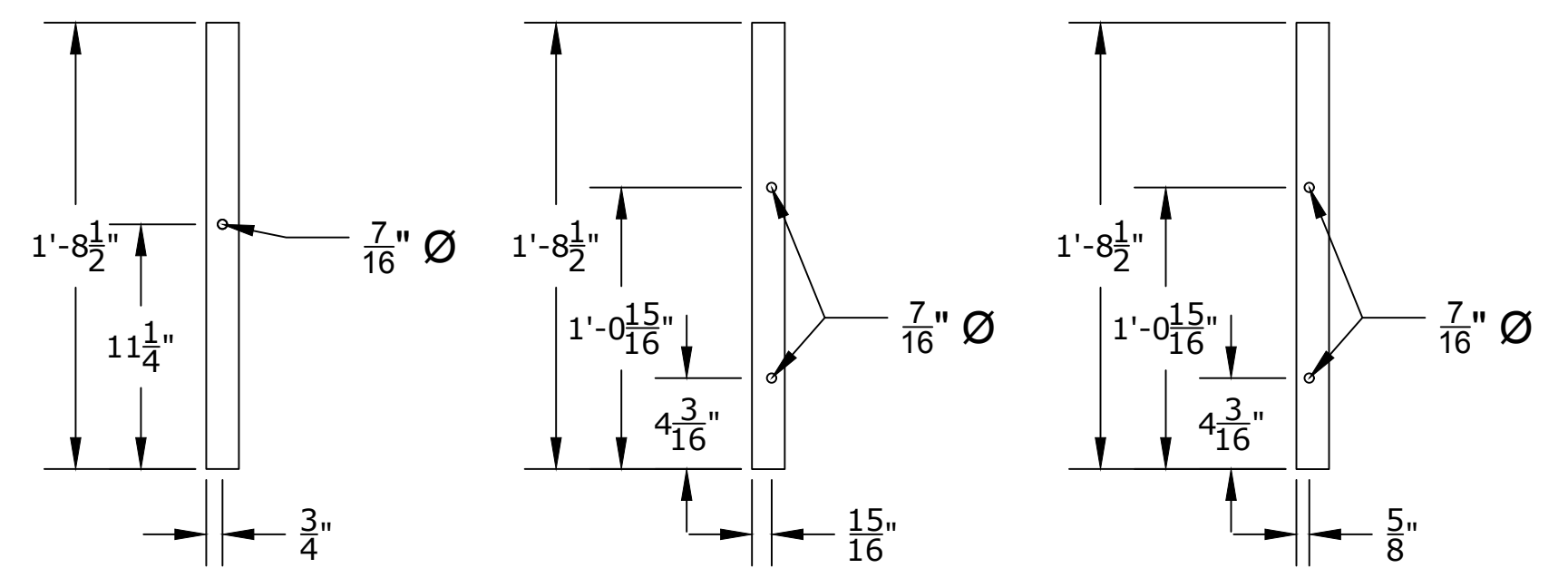
04 STEEL CAGE - TOP
02 SCALE - 1" = 1'-0"



06 STEEL FRAME - SIDE VIEW SR TO SL
02 SCALE - 1" = 1'-0"



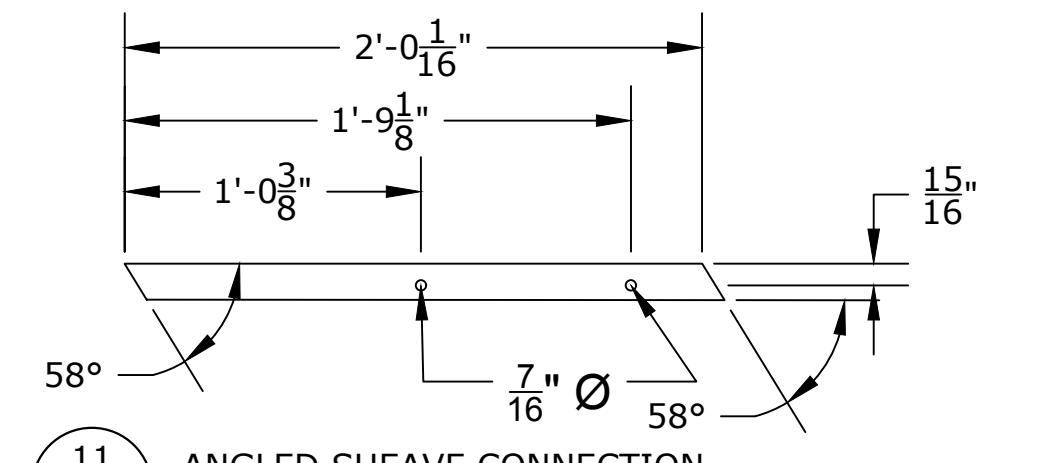
07 STEEL CAGE - TOP
02 SCALE - 1 1/2" = 1'-0"



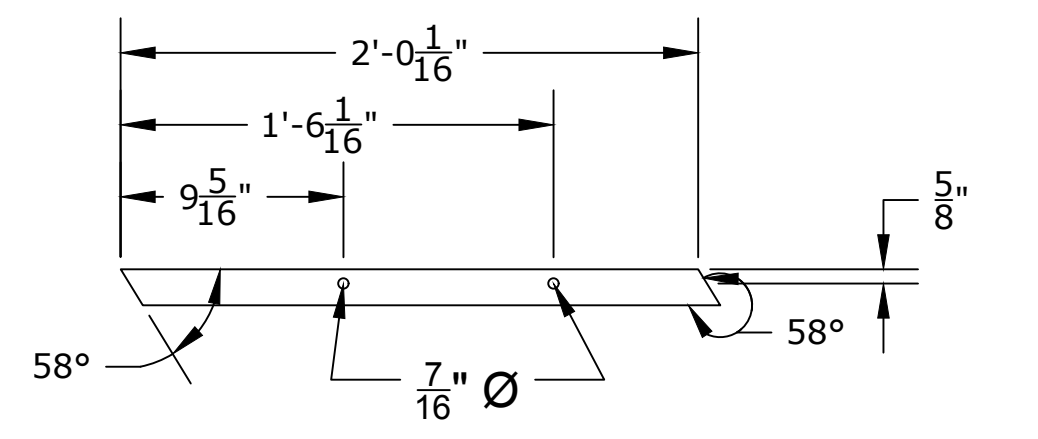
08 WIRE GUIDE CONNECTION
02 SCALE - 1 1/2" = 1'-0"
MAKE 4 TOTAL (FOR TOP AND BOTTOM)

09 PLEXI SHEAVE CONNECTION
02 SCALE - 1 1/2" = 1'-0"

10 PLEXI SHEAVE CONNECTION
02 SCALE - 1 1/2" = 1'-0"

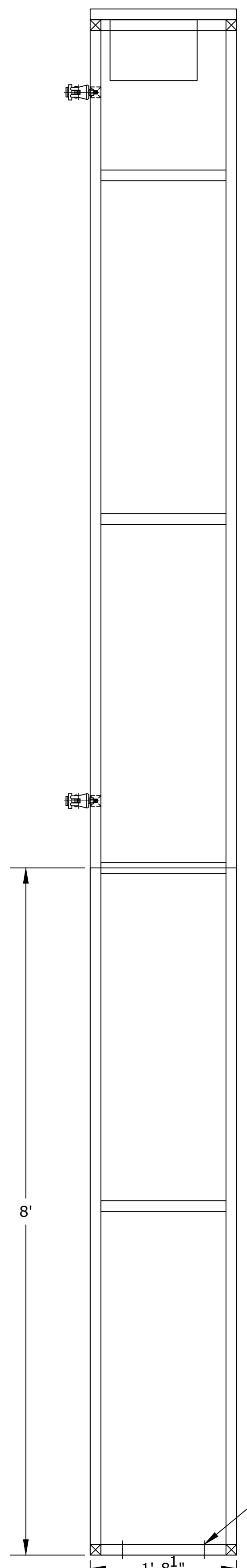


11 ANGLED SHEAVE CONNECTION
02 SCALE - 1 1/2" = 1'-0"

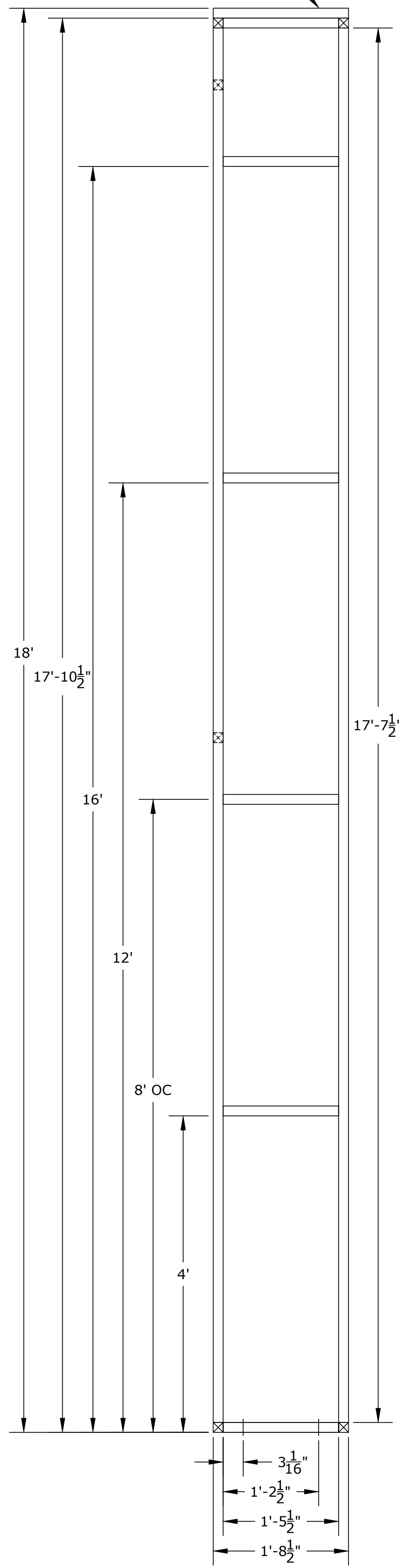


12 ANGLED SHEAVE CONNECTION
02 SCALE - 1 1/2" = 1'-0"

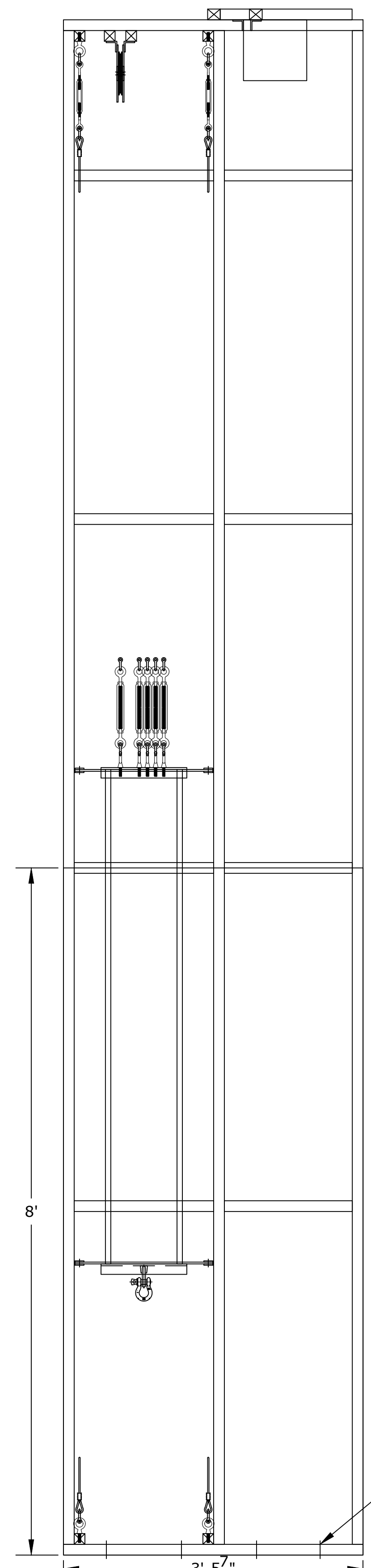
NOTES:
 - BOTTOM LUAN FACING TO SIZE AND SEND TO PAINTS
 - LUAN TO BE INSTALLED AFTER ARBOR AND RIGGING LINES ARE RUN (DURING LOAD IN) WITH TEK SCREWS DIRECTLY TO FRAME
 - STEEL FRAME BUILT FROM 1.5" 16GA BOX TUBE
 - MOUNT SHEAVES WHEN ASSEMBLED



02 SECTION A - ASSEMBLED (WITH LUAN DIMS)
02 SCALE - 1" = 1'-0"

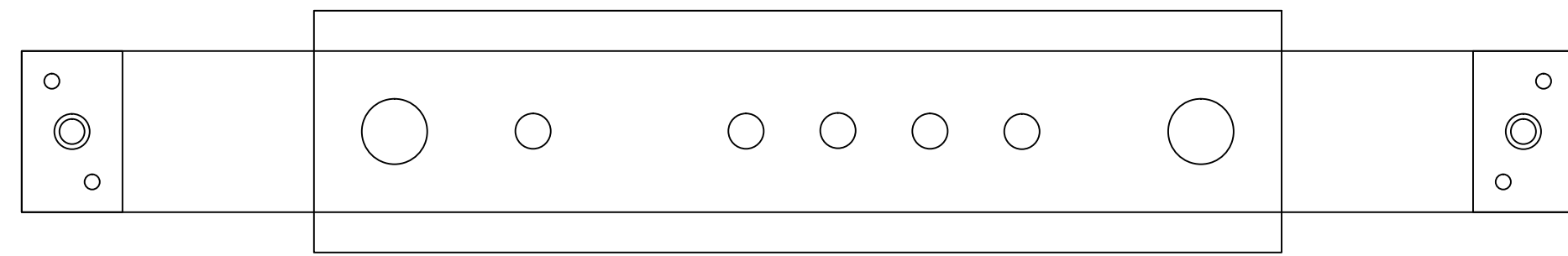


03 SECTION A - STEEL FRAME
02 SCALE - 1" = 1'-0"

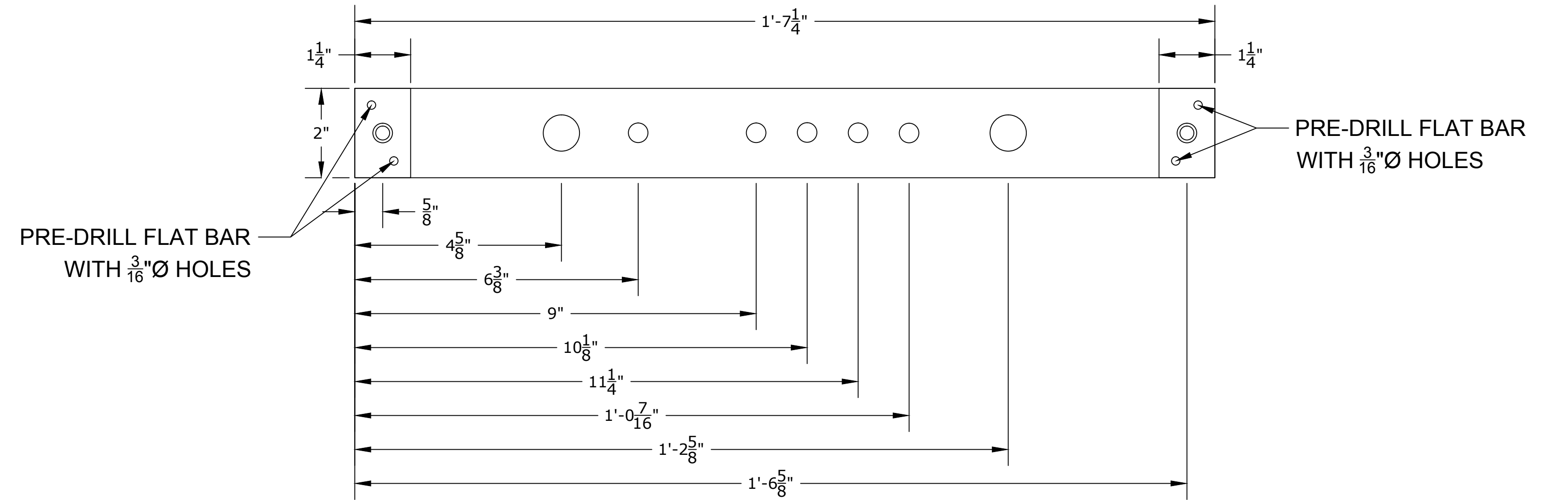


05 STEEL CAGE - SIDE VIEW SR TO SL (WITH LUAN DIMS)
02 SCALE - 1" = 1'-0"

Show:	WAR		
Assembly:	STEEL CAGE		
Unit:	RIGGING PLEXI WALL ON TRUSS		
Tech. Dir.:	K Newman	Draftsman:	K. MATSUMOTO
Yale Repertory Theater Yale School of Drama 222 York Street New Haven, CT 06520	Plot Date: 06.12.2015	Inventory Code:	Sheet Number: 550 -02
	Issue Date:	Designer:	M Sanchez Hernandez
Filepath: G:\Productions\2014-2015 Season\YRT2 - War\Scenery\Drafting\550 Rigging Plexi Wall on Truss\550 Rigging Plexi Wall on Truss.dwg			

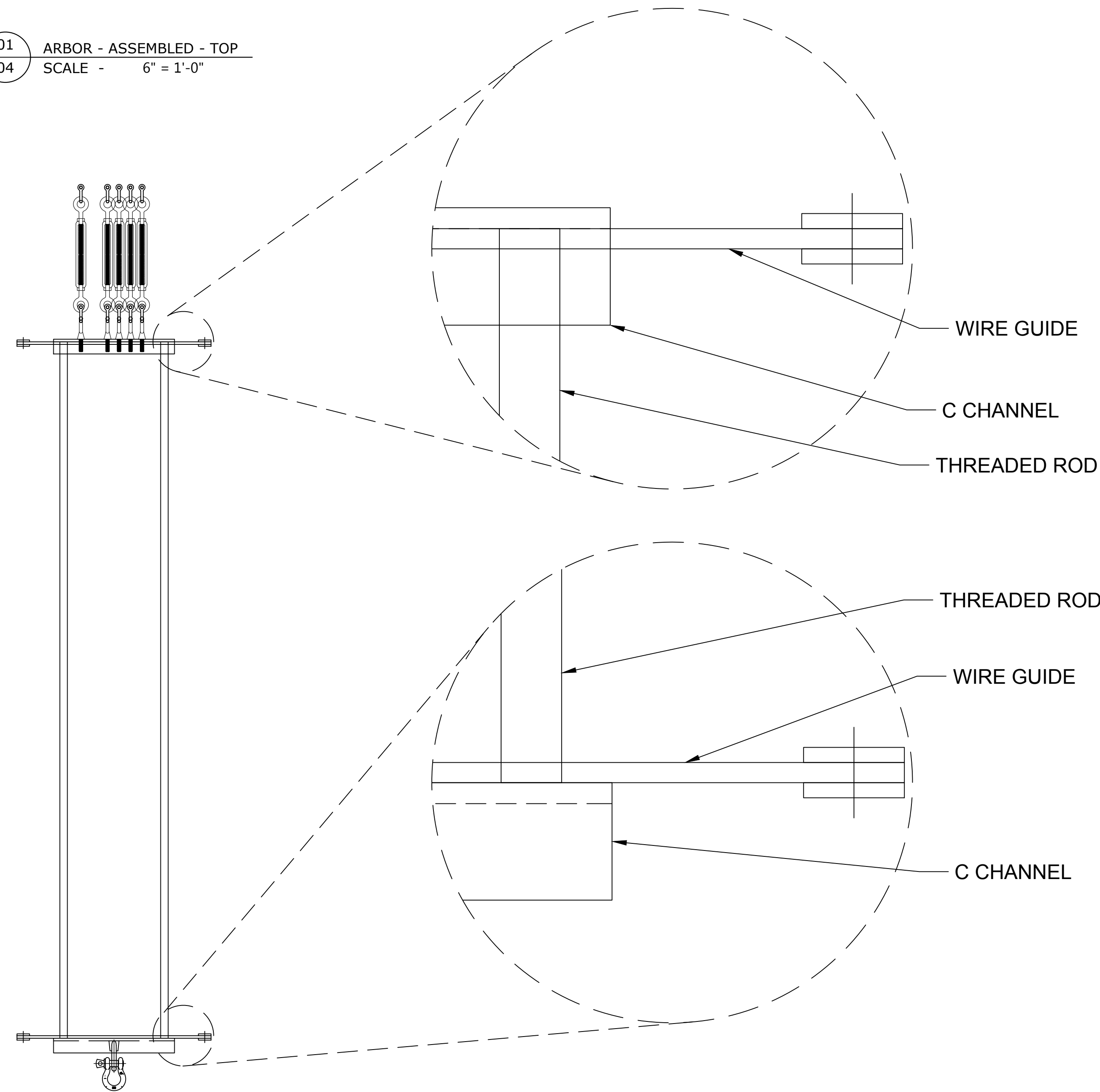


01 ARBOR - ASSEMBLED - TOP
04 SCALE - 6" = 1'-0"

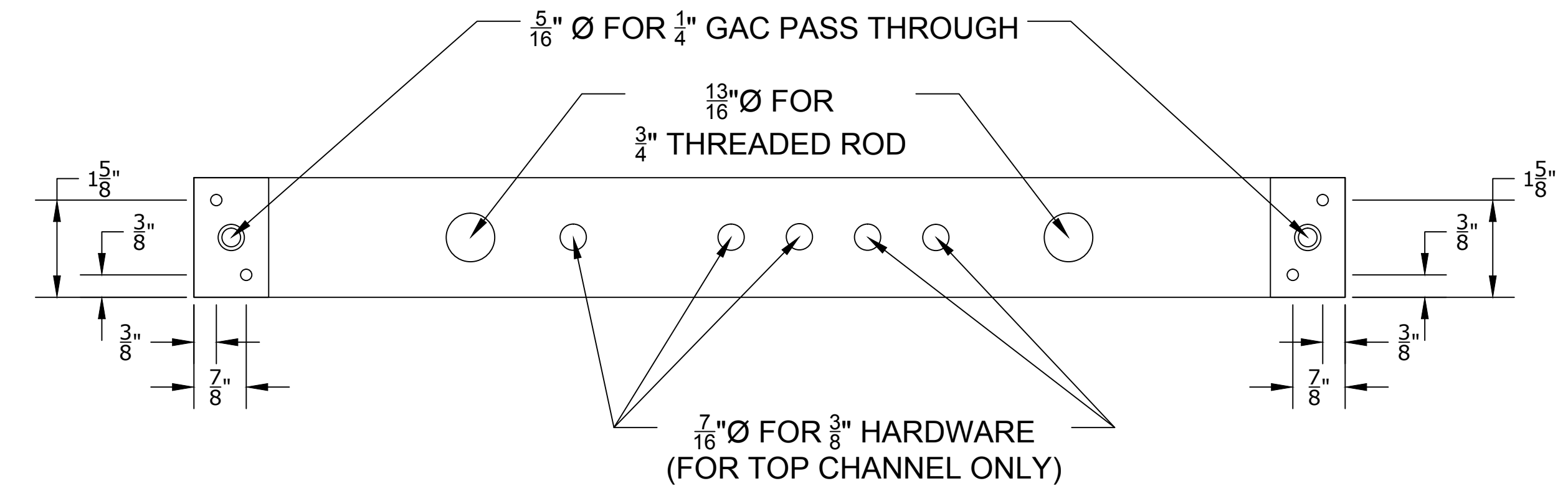


PRE-DRILL FLAT BAR WITH 3/16" Ø HOLES

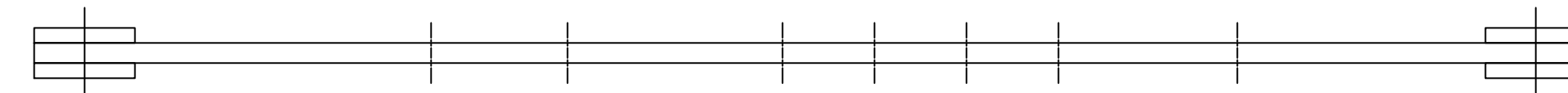
PRE-DRILL FLAT BAR WITH 3/16" Ø HOLES



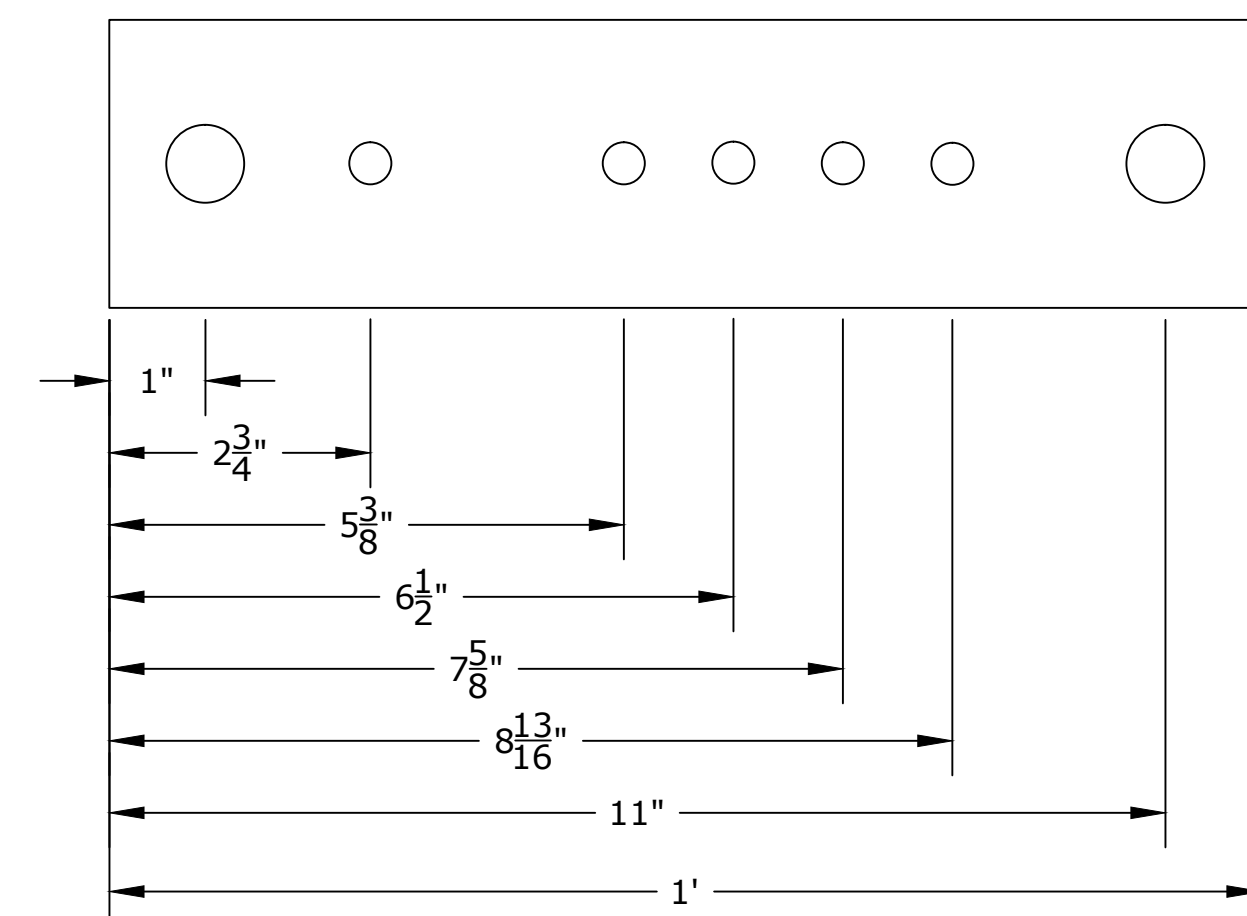
02 ARBOR - ASSEMBLED - SIDE
04 SCALE - 1 1/2" = 1'-0"



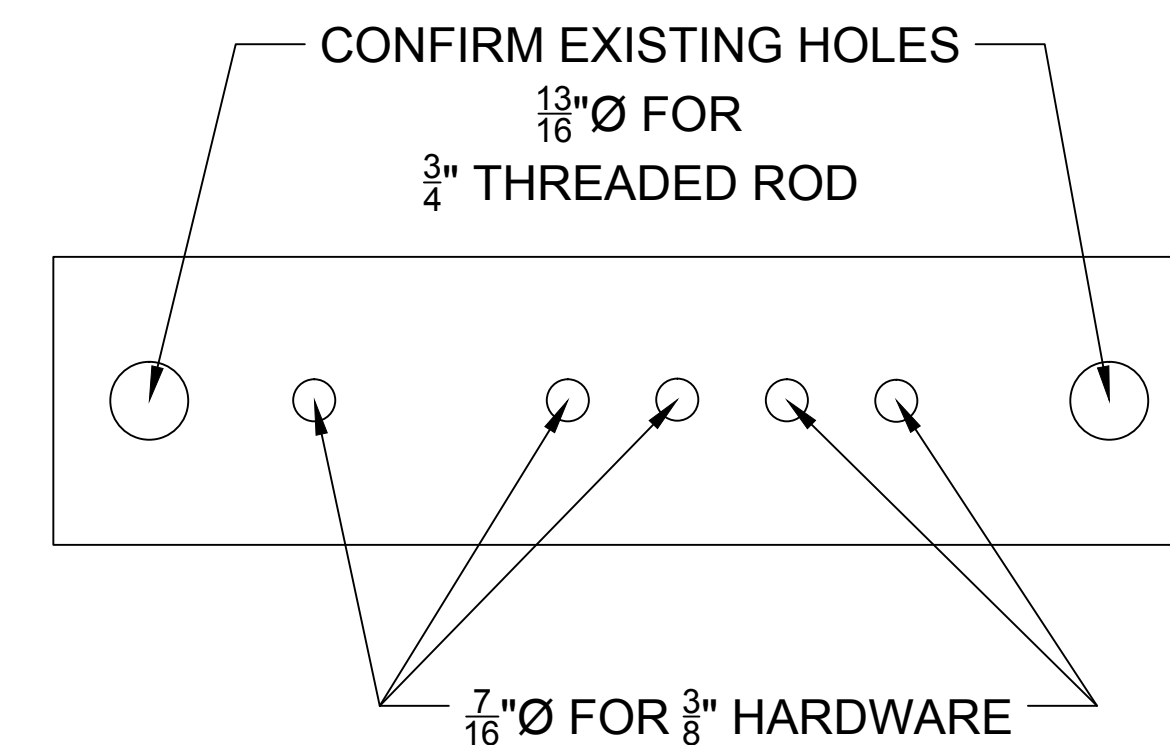
03 1/4" FLAT BAR AND 3/16" UHMW WIRE GUIDE - TOP VIEW
04 SCALE - 6" = 1'-0"
MAKE 2 TOTAL



04 1/4" FLAT BAR AND 3/16" UHMW WIRE GUIDE - SIDE VIEW
04 SCALE - 6" = 1'-0"



05 ARBOR TOP CHANNEL - TOP VIEW
04 SCALE - 6" = 1'-0"



NOTES:
 · USE STOCK 6" ARBOR
 · USE 8-32 MACHINE SCREWS TO ATTACH UHMW BLOCKS TO FLAT BAR

Show:	WAR		
Assembly:	ARBOR ALTERATIONS		
Unit:	RIGGING PLEXI WALL ON TRUSS		
Tech. Dir.:	K Newman	Draftsman:	K. MATSUMOTO
Yale Repertory Theater Yale School of Drama 222 York Street New Haven, CT 06520	Plot Date: 06.12.2015 Issue Date: Designer: M Sanchez Hernandez	Inventory Code:	Sheet Number: 550 -04
Filepath: G:\Productions\2014-2015 Season\YRT2 - War\Scenery\Drafting\550 Rigging Plexi Wall on Truss\550 Rigging Plexi Wall on Truss.dwg			